

Incremental encoders

Solid shaft with EURO flange B10

300...2500 pulses per revolution

POG 10



POG 10

Technical data - electrical ratings

Voltage supply	9...30 VDC 5 VDC \pm 5 %
Consumption w/o load	\leq 100 mA
Pulses per revolution	300...2500
Phase shift	90° \pm 20°
Duty cycle	40...60 %
Reference signal	Zero pulse, width 90°
Sensing method	Optical
Output frequency	\leq 170 kHz
Output signals	K1, K2, K0 + inverted Error output (only EMS)
Output stage	HTL-P (power linedriver) TTL/RS422
Interference immunity	EN 61000-6-2
Emitted interference	EN 61000-6-3
Approvals	CE, RoHS, UL approval / E256710

Features

- TTL output driver for cable length up to 500 m
- High resistance to shock and vibrations
- EURO-flange B10 / solid shaft \varnothing 11 mm
- Big terminal box, turn by 180°

Optional

- Function control with EMS
(Enhanced Monitoring System)
- Redundant sensing with two terminal boxes
- Second shaft end
- Housing foot (B3)
- With heating up to -50°C

Technical data - mechanical design

Size (flange)	\varnothing 115 mm
Shaft type	\varnothing 11 mm solid shaft
Shaft loading	\leq 300 N axial \leq 450 N radial
Flange	EURO flange B10
Protection DIN EN 60529	IP 66
Operating speed	\leq 12000 rpm (mechanical)
Operating torque typ.	2 Ncm
Rotor moment of inertia	200 gcm ²
Materials	Housing: aluminium die-cast Shaft: stainless steel
Operating temperature	-40...+100 °C -50...+100 °C (optional)
Resistance	IEC 60068-2-6 Vibration 20 g, 10-2000 Hz IEC 60068-2-27 Shock 200 g, 6 ms
Explosion protection	II 3 G Ex nA IIC T4 Gc (gas) II 3 D Ex tc IIIC T135°C Dc (dust)
Connection	Terminal box 2x terminal box (with option M)
Weight approx.	1.9 kg, 2.1 kg (with option M)

Incremental encoders

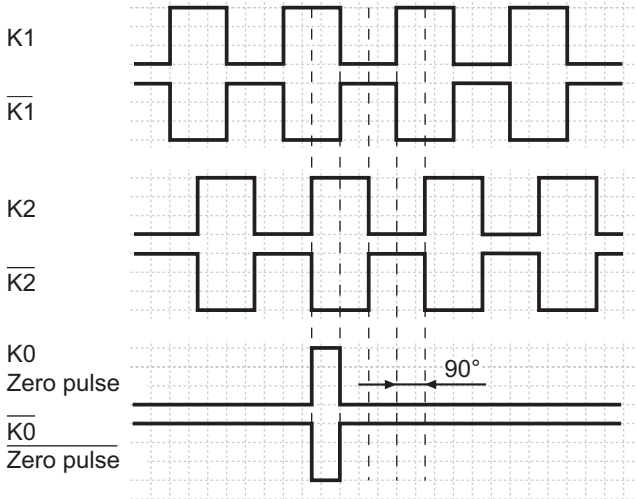
Solid shaft with EURO flange B10

300...2500 pulses per revolution

POG 10

Output signals

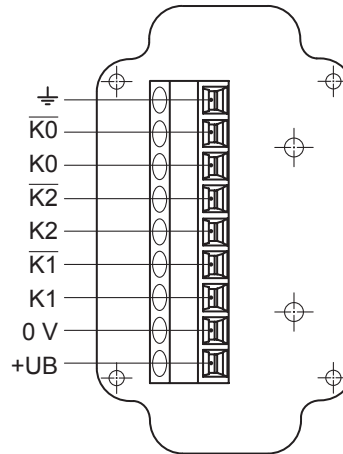
At positive rotating direction



Terminal assignment

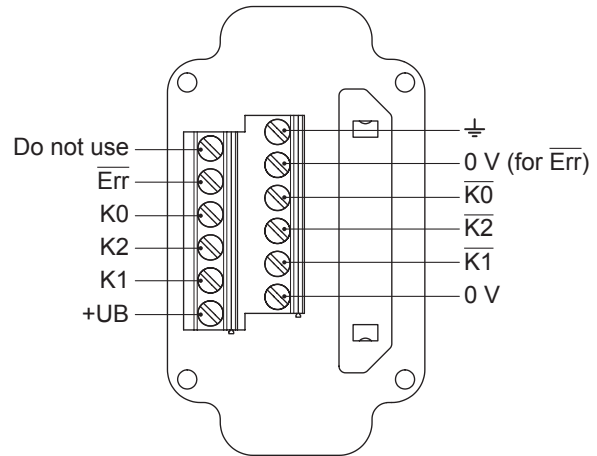
View A

Connecting terminal in terminal box



Option EMS: View A

Connecting terminal in terminal box



Option EMS: LED status / Error output

Flash light red*	Error of signal sequence, zero pulse or pulses (Error output = HIGH-LOW alternation)
Red	Overload output driver (Error output = LOW)
Flash light green	Encoder o.k., rotating (Error output = HIGH)
Green	Encoder o.k., stopped (Error output = HIGH)
No light	No output voltage connection or wrong connection (Error output = LOW)

* Only at rotating encoder

